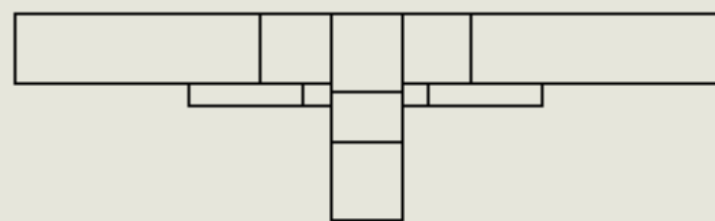
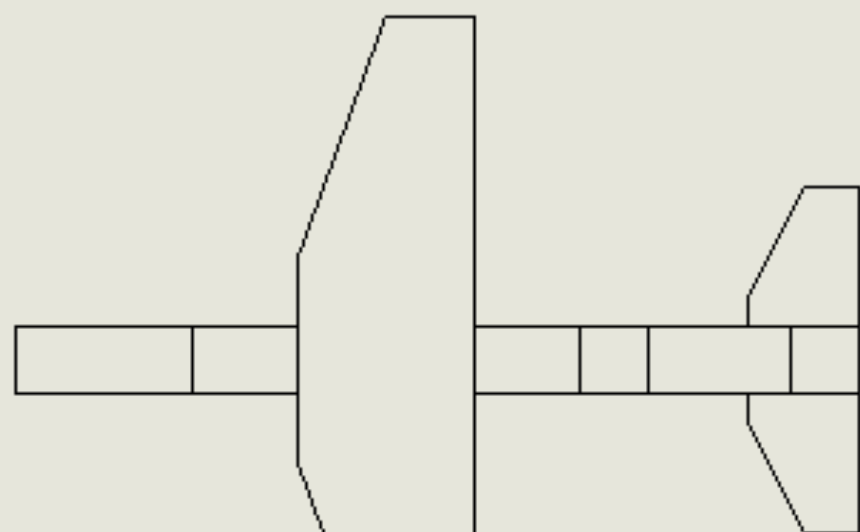


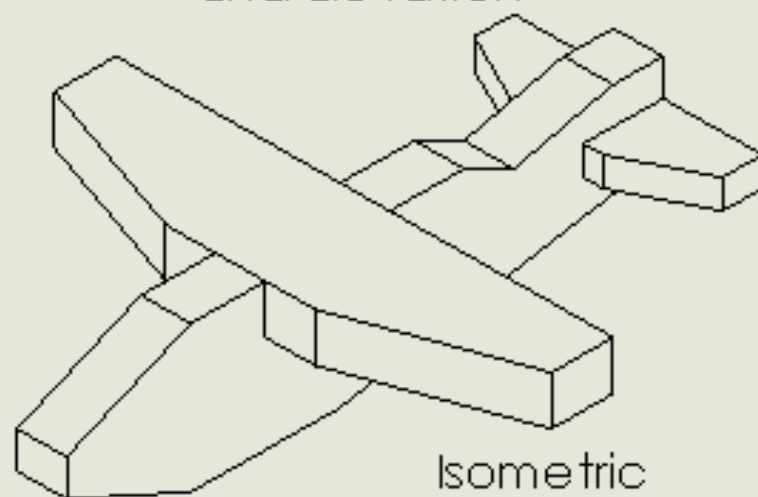
Elevation



End Elevation



Plan



Isometric

[www.mtwprocessing.com](http://www.mtwprocessing.com)

Drawn by: Mark McGinn

1/11

Plane Project

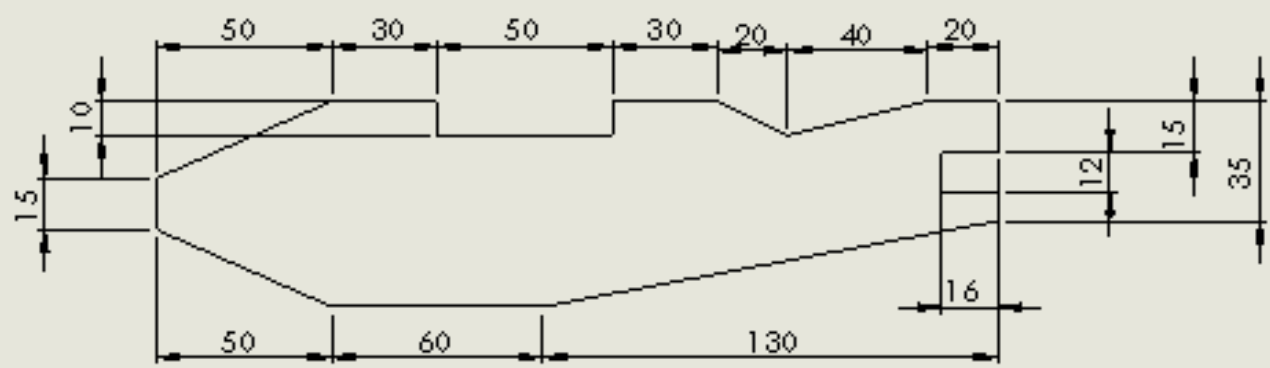
DWG NO.

Plane Project

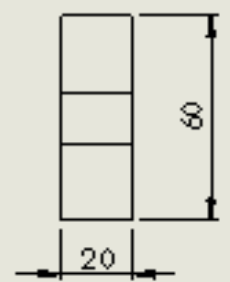
A4

SCALE 1:1

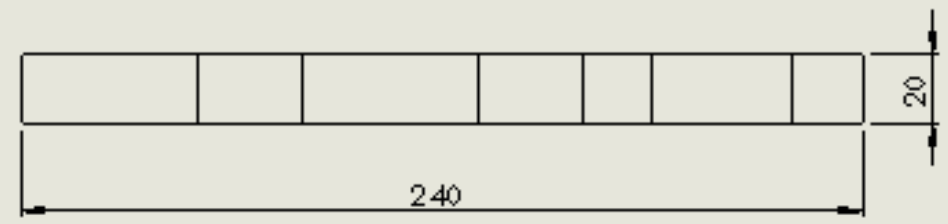
DWG 1011



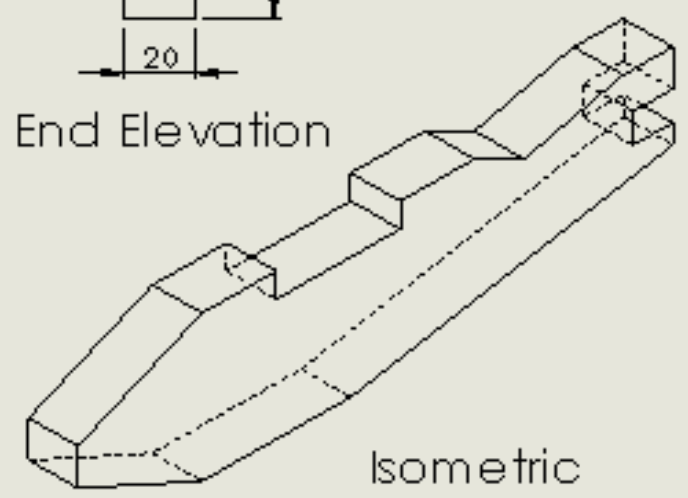
Elevation



End Elevation

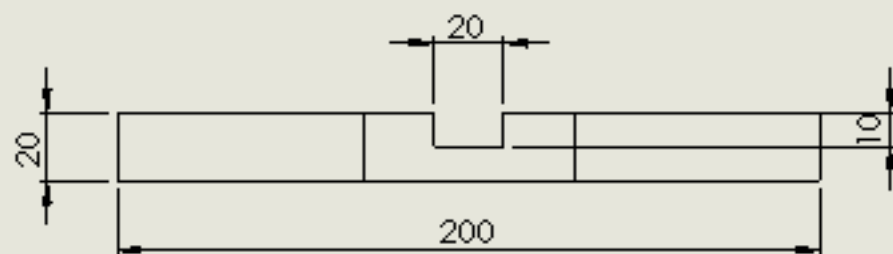


Plan

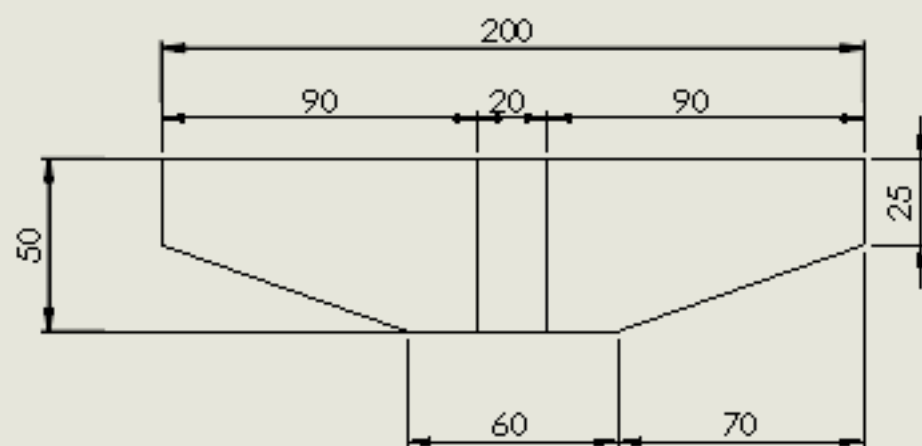


Isometric

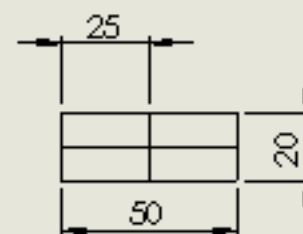
www.mtwprocessing.com	
Drawn by: Mark McGinn	
Plane Project	
DWG NO.	Main Body
SCALE 1:1	DWG 1 OF 1
	A4



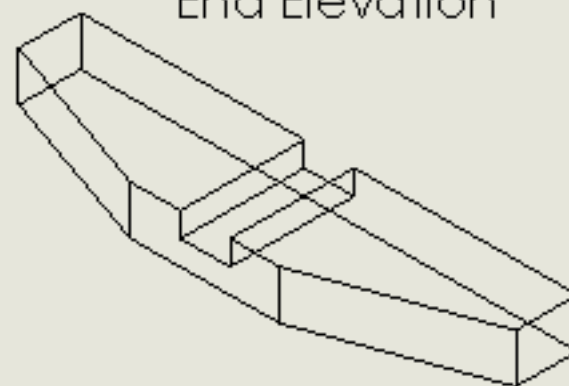
Elevation



Plan



End Elevation



Isometric

[www.mtwprocessing.com](http://www.mtwprocessing.com)

Drawn by: Mark McGinn

DATE

Plane Project

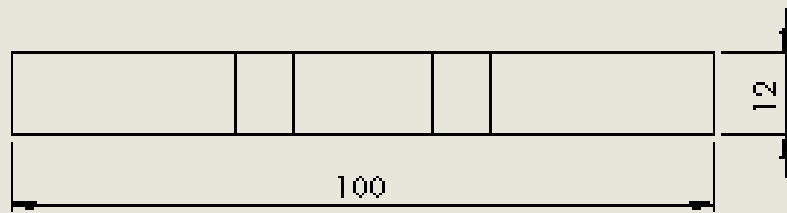
DWG NO.

Large Wing

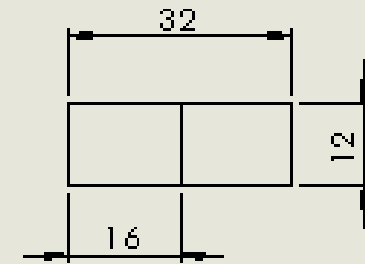
A4

SCALE 1:1

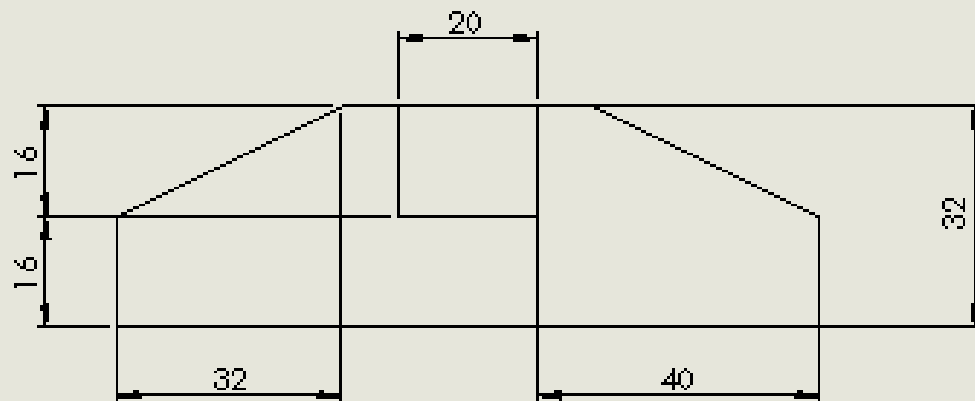
000012 OF 1



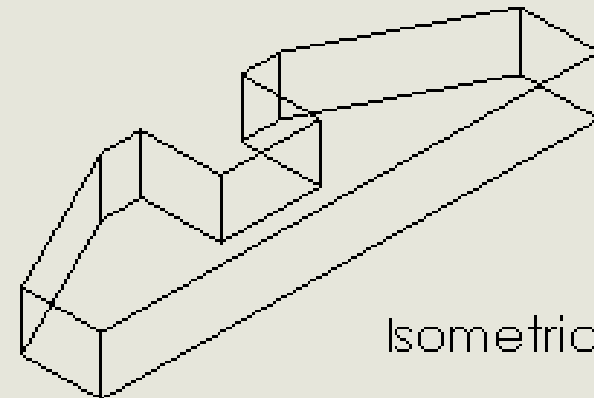
Elevation



End Elevation



Plan



Isometric

[www.mtwprocessing.com](http://www.mtwprocessing.com)

Drawn by: Mark McGinn

Plane Project

FILE NO.

Small Wing

Ad

DATE 12

BY 12/12/11